

PRODUCT SPECIFICATION SHEET

Part Number 18275

Stat-X 8 Inch Wall Penetrator Assembly

DESCRIPTION



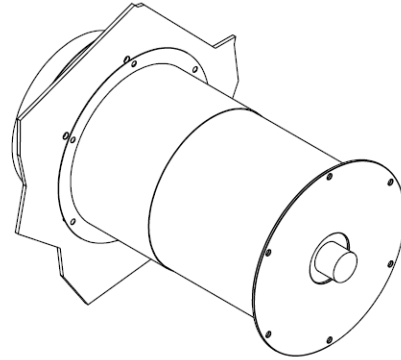
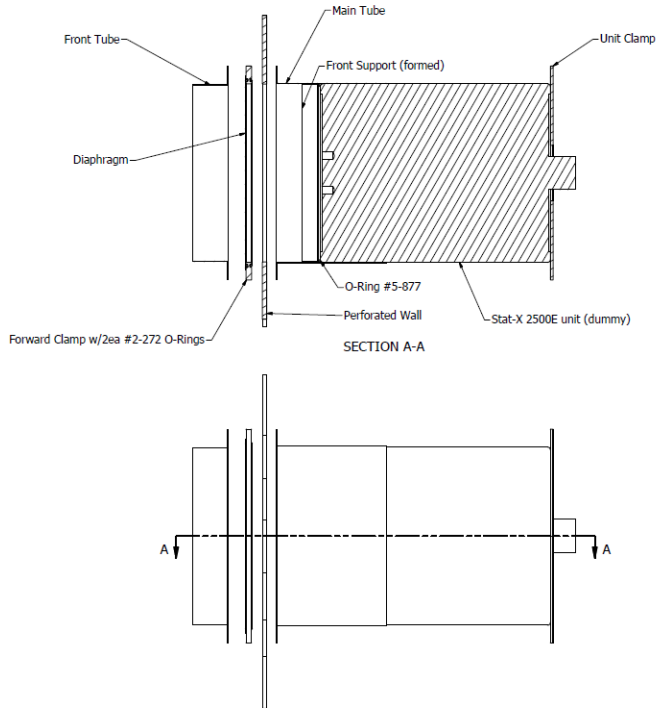
8 Inch Wall Penetrator

Stat-X 8 inch wall penetrator assembly devices are intended for special mounting of *Stat-X* model 1000E, 1500E, and 2500E electrical activated generators externally of protected enclosures. This device is intended for use in applications where the protected area is potentially filled with flammable gases or processes with mist or airborne fluids that can coat and plug the generator orifice plate.

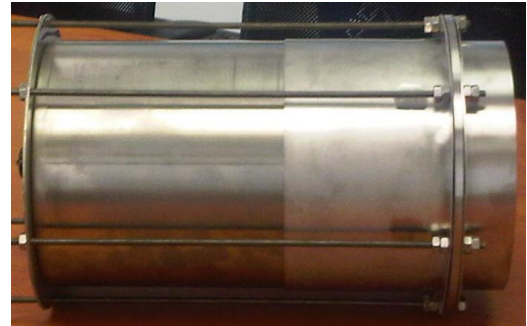
Features:

- Equipped with a mylar diaphragm to seal an enclosure penetration hole (7.500" to 7.844")
- Stainless steel tube construction with stainless steel ¼" tie rods and jam nuts for various wall thickness
- Designed for wall (horizontal) or ceiling (vertical) mount

GENERAL ARRANGEMENT



Not shown are 6ea 1/4"-20 Tie-rods and nuts



LIST OF MATERIALS

The scope of supply includes:

Item	Quantity	Part Number	Description
1	1	18280	8 inch front tube
2	1	18281	8 inch forward clamp
3	1	18288	8 inch rupture diaphragm
4	1	18282	8 inch main tube
5	1	18283	8 inch unit clamp
6	1	18285	O-ring #2-265, neoprene
7	6	18287	1/4"-20 SS threaded tie rods, 24" long
8	36	18286	1/4"-20 SS jam nuts
9	1	various	Stat-X E-model generator

Note: Stat-X model E generators sold separately



DIMENSIONS

Enclosure hole (nominal)	= 7.718"
Interior overall depth (front tube + forward clamp)	= 1.840"
Interior tube diameter (front tube)	= 7.920"
Tube flange diameter:	= 9.625"
Exterior overall depth (from wall c/w 2500E)	= 12.1" (approx.)
Exterior overall depth (from wall c/w 1500E)	= 9.6" (approx.)
Exterior overall depth (from wall c/w 1000E)	= 8.3" (approx.)
Overall diameter (exterior)	= 9.625"

WEIGHT

Total Assembly Weight (empty):	8 lbs (approx.)
Total Assembly Weight (c/w 2500E):	33 lbs (approx.)
Total Assembly Weight (c/w 1500E):	27 lbs (approx.)
Total Assembly Weight (c/w 1000E):	24 lbs (approx.)

NOTES

For installation details please refer to the instructions provided in sheet INS.18275.



Part Number: 18275
Document type: Product Specification Sheet
Document title: *Stat-X* 8 Inch Wall Penetrator Assembly
Document number: PSS.18275.2011.05.09A
Original revision: A
Current revision: A
Author: Anthony Gee

Revision	Date	Author	Description
A	05-09-2011	Anthony Gee	Original Issue

NOTES